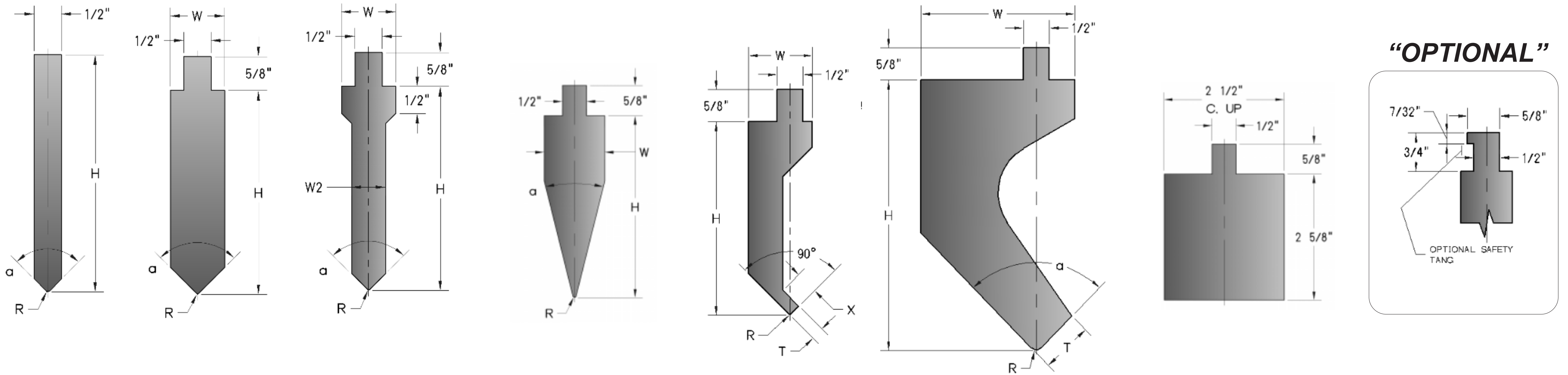


PRESSBRAKE TOOLING TYPES

UPPER PUNCHES



90 DEGREE FORMING

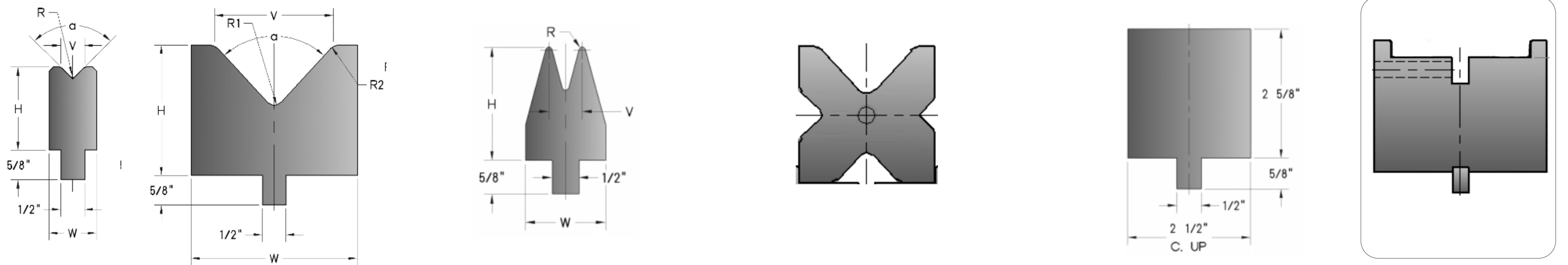
ACUTE

SMALL AND LARGE GOOSENECKS

FLATTENING

SAFETY TANG

LOWER DIES



90 DEGREE FORMING

ACUTE

4-WAY

FLATTENING

DIE RISER

"SPECIAL" PUNCHES & DIES ARE ALSO AVAILABLE FOR YOUR APPLICATIONS .
PLEASE GIVE US A CALL TO DISCUSS YOUR SPECIFIC REQUIREMENTS.